

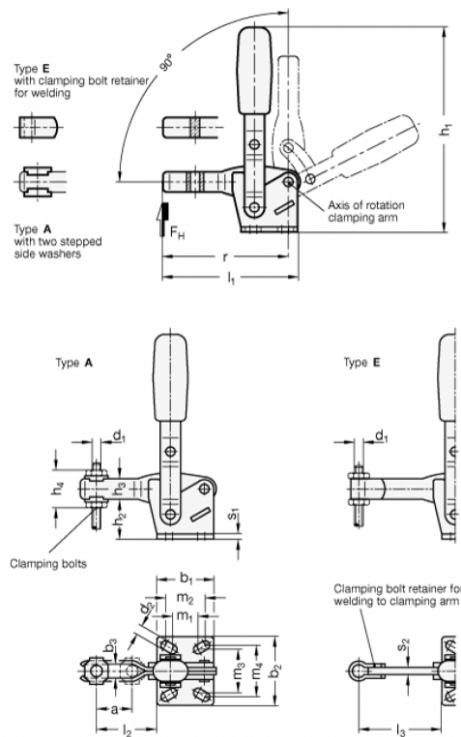
Data Sheet



Article number: 20810130ENI

Description: E+G Klee vertical clamp, stainless steel
GN 810-130-E-NI

Measures



b1 = 35	Holding force N = 1600	s1 = 2.5
b2 = 42	l1 = 86	s2 = 5
d1 = M6	l3 = 62	Size = 125
d2 = 5.5	m1 = 19	
h1 = 142	m2 = 29	
h2 = 28	m3 = 8.0	
h3 = 14	m4 = 29	
h4 = 27	r = 79.0	